

# GLOBO

LIGHTING

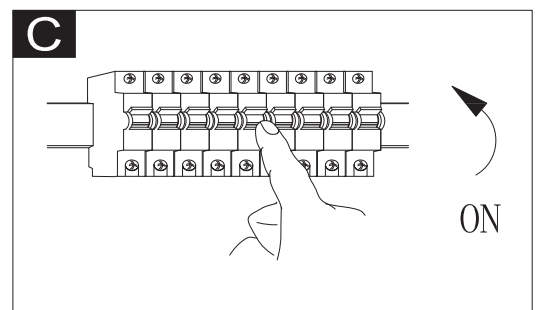
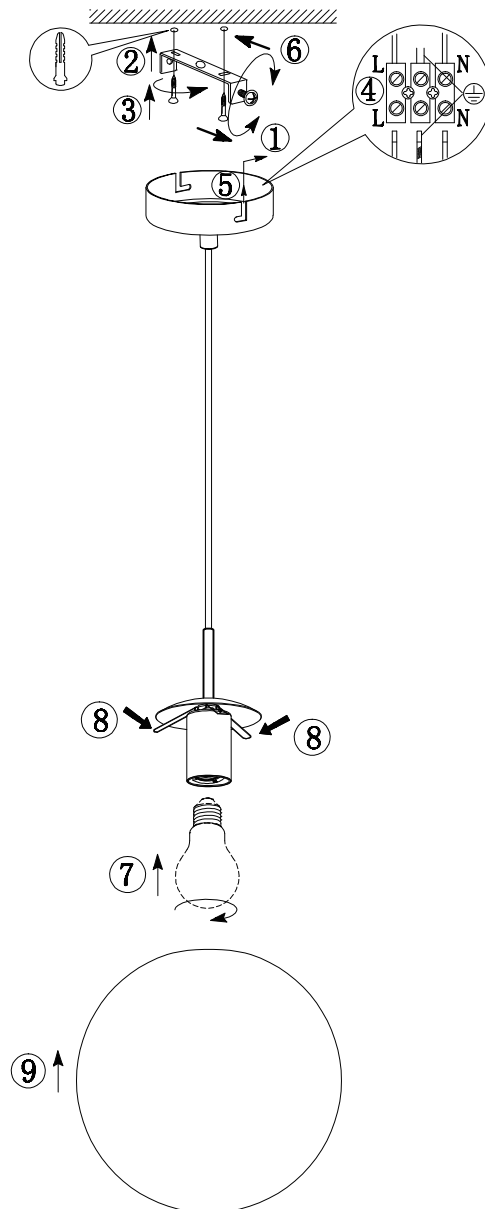
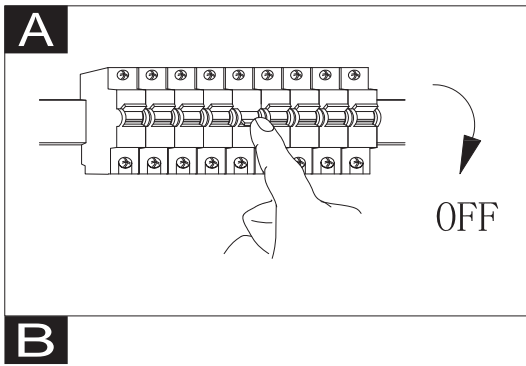
[www.globo-lighting.com](http://www.globo-lighting.com)

15851 15855 15861 15865

15852 15856 15862 15866

15853 15857 15863 15867

15854 15858 15864 15868



GLOBO Handels GmbH  
Gewerbestr. 3  
A-9184 Sankt Peter